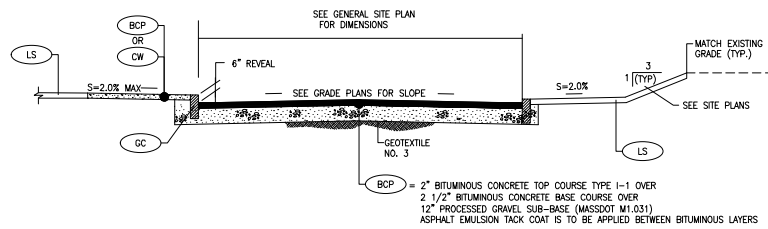
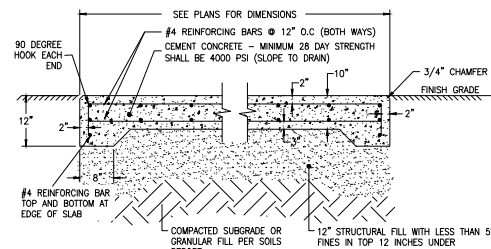


- NOTES:**
- INTERNAL CONNECTION ADAPTER TO BE WELDED TO HDPE, OUTSIDE DIAMETER TO BE INSERTED INTO INSIDE DIAMETER OF CONCRETE PIPE.
 - NON-HOOK END OF HDPE TO BE WRAPPED AROUND CONNECTION WITH FULL SEAM OVERLAP TO PROVIDE FULL PROTECTION FROM SOIL INTRUSION.
 - CONNECTION TO BE MADE IN ACCORDANCE WITH PIPE MANUFACTURER'S RECOMMENDATIONS.
 - EXTERNAL CHUCKER SPHER ADAPTER NOT REQUIRED IF HDPE IS CONNECTED TO "MILL" END OF RCP.

HDPE/RCP PIPE JOINT
NTS

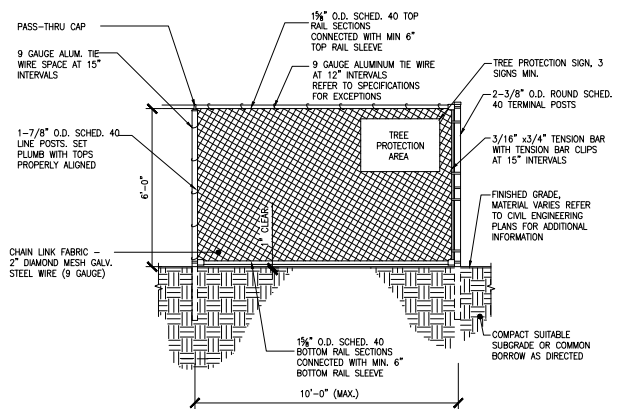


TYPICAL BITUMINOUS CONCRETE HEAVY-DUTY PAVEMENT SECTION
NOT TO SCALE



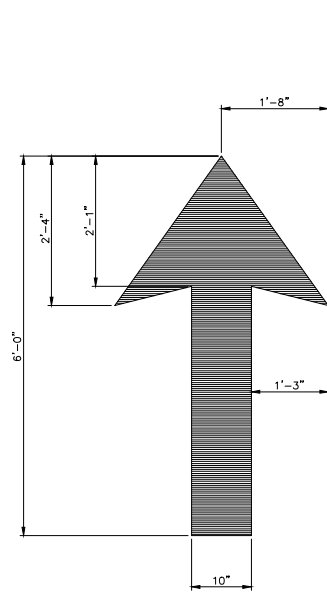
- NOTES:**
- FOR DUMPSTER PAD AND OTHER UTILITY LOCATIONS, SEE PLANS.
 - REINFORCING TO BE #4 GRADE 60 BARS AND SHALL CONFORM TO ASTM STANDARD A-615 OF THE LATEST DATA.
 - TO REDUCE THE POTENTIAL FOR HEAVE CAUSED BY SURFACE WATER PENETRATING UNDER THE CONCRETE PAD, THE CONCRETE SHOULD BE SEALED WITH A WATERPROOFING COMPOUND.

CEMENT CONCRETE PAD
NOT TO SCALE

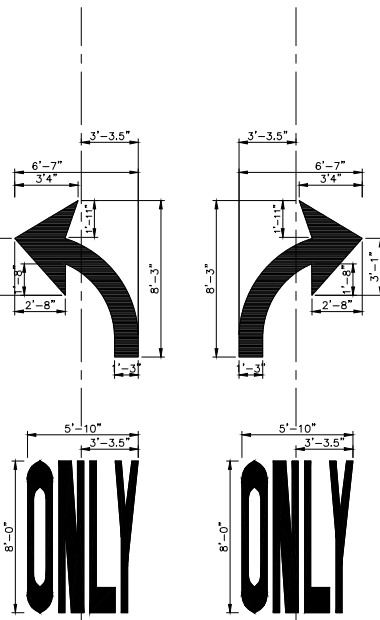


- NOTE:**
- FOR TREE PROTECTION ONLY, SEE CIVIL PLANS FOR LOCATION.
 - FENCE POST TO BE BURIED 2 FEET BELOW GRADE.
 - ADJUST POST LOCATIONS IN THE FIELD ACCORDING TO LOCATION OF TREE ROOTS.
 - PROTECTION FENCING LOCATED ON SIDEWALKS AS SHOWN ON THE PLANS SHALL HAVE CONCRETE BLOCKS.
 - INSTALLATION TO BE APPROVED BY TOWN TREE WARDEN AND LANDSCAPE ARCHITECT.
 - CONTRACTOR IS REQUIRED TO PROTECT EXISTING TREES WITH FENCING NOTED ON THE DEMOLITION PLAN AND PERFORM PROTECTION MEASURES AND METHODS OUTLINED IN SPECIFICATION 01.66.09 TREE PROTECTION AND TRIMMING.

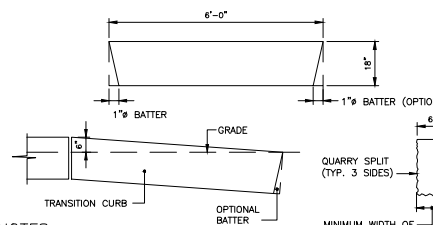
6 FOOT CHAIN LINK TREE PROTECTION FENCE



DIRECTIONAL ARROW PAVEMENT MARKINGS
NOT TO SCALE
STRIPING SHOULD BE EPOXY RESIN AND WHITE IN COLOR

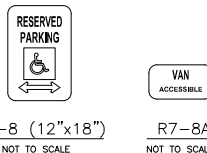


PAVEMENT MARKING
NOT TO SCALE

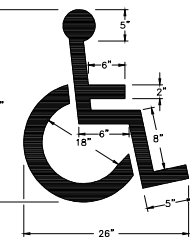


- NOTES:**
- TOP SURFACE TO BE DRESSED BY SAW OR TOOL.
 - GRANITE CURB SHALL CONFORM TO M.H.D. STD. SPECIFICATION MATERIALS SECTION M9.04.1 GRANITE CURB, TYPE V44.

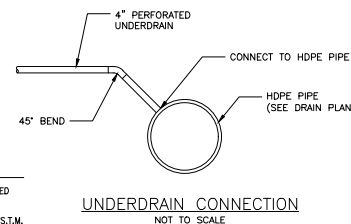
6' GRANITE TRANSITION CURB
NOT TO SCALE



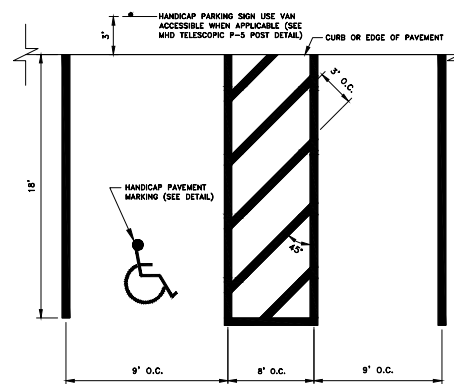
R7-8 (12"x18")
NOT TO SCALE



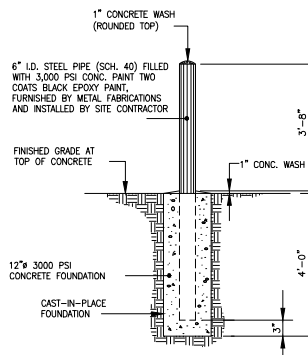
SHP HANDICAP PAVEMENT MARKING
NOT TO SCALE



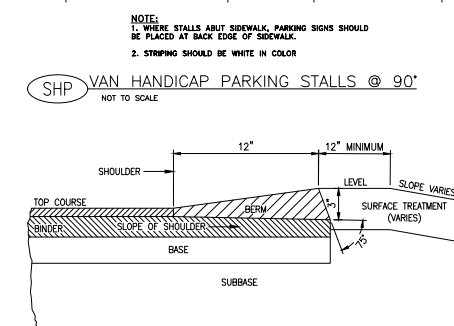
UNDERDRAIN CONNECTION
NOT TO SCALE



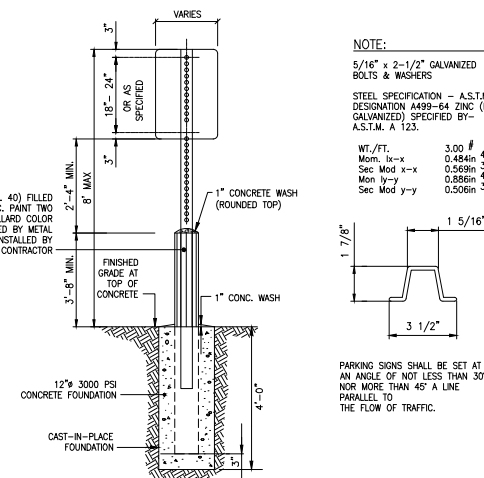
SHP VAN HANDICAP PARKING STALLS @ 90°
NOT TO SCALE



CONCRETE BOLLARD
NOT TO SCALE



BB HOT MIX ASPHALT BERM
NOT TO SCALE



SIGN MOUNTING NOTES:

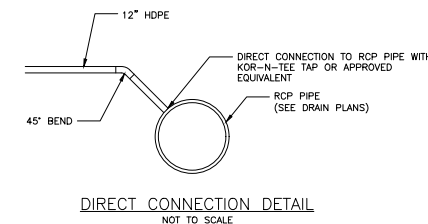
- ALL LAG SCREWS, BOLTS AND WASHERS SHALL BE GALVANIZED 5/16"x2 1/2" LONG UNLESS OTHERWISE NOTED.
- WASHERS SHALL BE 0.07" THICK. 3. ALL SIGN COLORS, RADI AND BORDERS AS SPECIFIED IN "MANUAL ON UNIFORM TRAFFIC CONTROL DEVICES."
- CONTRACTOR IS RESPONSIBLE FOR INSTALLING CONCRETE BOLLARDS.

HANDICAP SIGN NOTES:

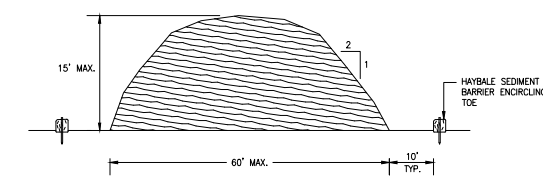
- ALL HANDICAP PARKING AND SIGNAGE SHALL BE IN CONFORMANCE WITH THE RULES & REGULATIONS AS SPECIFIED BY THE AMERICAN DISABILITIES ACT (ADA).
- SIGN(S) SHALL BE LOCATED SO THEY CANNOT BE OBTURED BY A VEHICLE PARKED IN THE SPACE.
- FOR HANDICAPPED VAN SPACE, USE SIGN AS DETAILED.
- FOR HANDICAPPED SPACE FOR AUTOMOBILES, USE ONLY HANDICAPPED PARKING SIGN. (WITHOUT ADDITIONAL "VAN ACCESSIBLE" SIGN)

SIGN MOUNTING WITH CONCRETE BOLLARD*
NOT TO SCALE

(*ONLY TO BE USED WHERE THERE IS NO CURB PROTECTION - SEE "SIGN MOUNTING DETAIL" ON THIS SHEET FOR ALL OTHER APPLICATIONS)



DIRECT CONNECTION DETAIL
NOT TO SCALE



- NOTES:**
- STOCKPILE AREA SHALL NOT EXCEED SPECIFIED DIMENSIONS WITHOUT APPROVAL FROM ENGINEER.
 - STOCKPILED ERODIBLE MATERIAL THAT WILL NOT BE USED FOR GREATER THAN 30 DAYS SHALL BE STABILIZED WITH TEMPORARY VEGETATION OR COVERED IMMEDIATELY FOLLOWING PLACEMENT.
 - NO STOCKPILE SHALL BE PLACED WITHIN THE 100 FOOT WETLAND BUFFER.

ERODIBLE MATERIAL STOCKPILE
NOT TO SCALE

NOTE:
ANY MANUFACTURER'S NAMES AND/OR MODEL NUMBERS IDENTIFIED HEREIN ARE INTENDED TO ASSIST IN ESTABLISHING A GENERAL LEVEL OF QUALITY, CONFIGURATION, FUNCTIONALITY, AND APPEARANCE REQUIRED. THIS IS NOT A PROPRIETARY SPECIFICATION AND IT SHOULD BE NOTED THAT "FOR APPROVED EQUIVALENT" APPLIES TO ALL PRODUCTS DENOTED HEREIN. IT IS UNDERSTOOD THAT ALL MANUFACTURERS WILL HAVE MINOR VARIATIONS IN CONFIGURATION, APPEARANCE, AND PRODUCT SPECIFICATION TO ENCOURAGE OPEN AND COMPETITIVE INVOLVEMENT FROM MULTIPLE MANUFACTURERS THAT ARE ABLE TO SUPPLY SIMILAR PRODUCTS.



KEYNOTE LEGEND: